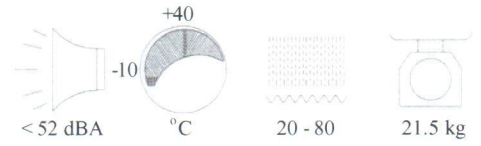
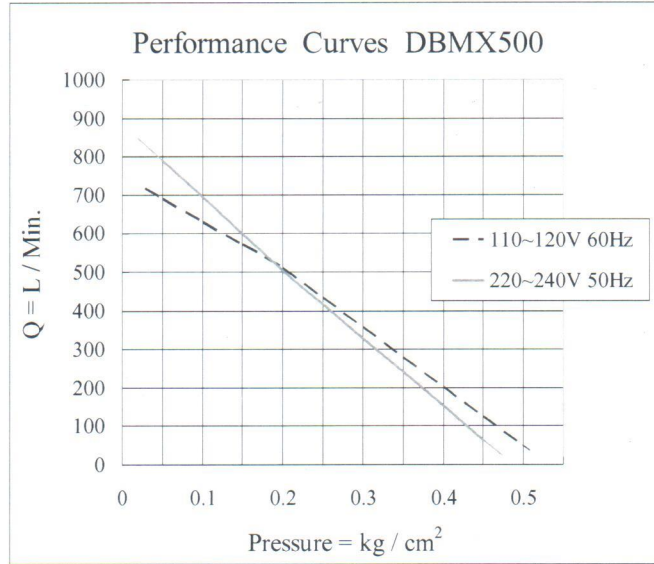


Model No. DBMX500

Performance / Rendimiento / Prestanda

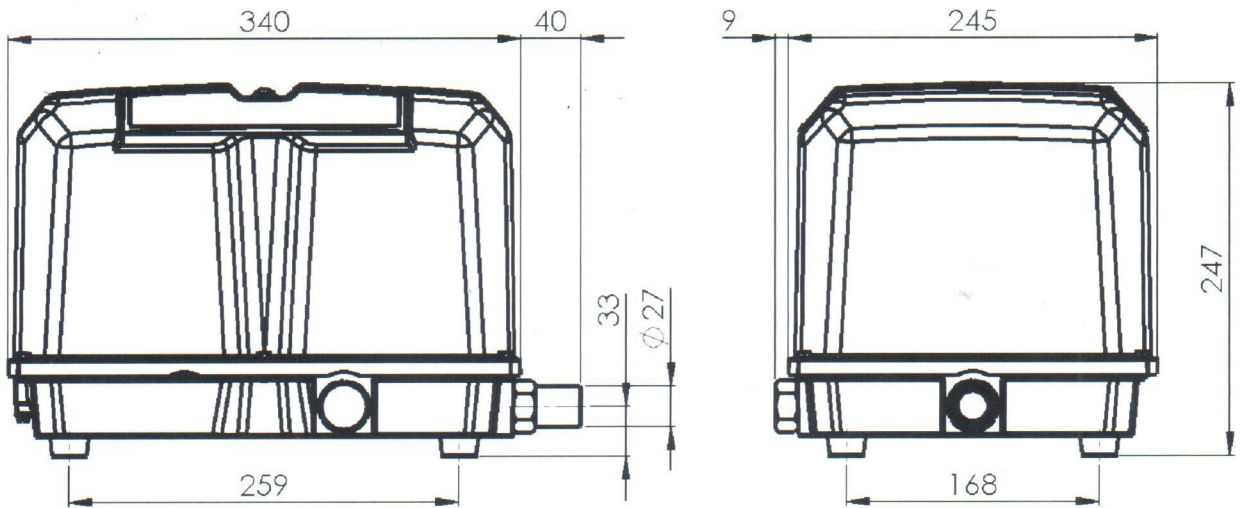


★ Allowance : ±5%



Exhaust

Dimensions / Dimensioner (mm)



Operating range : 0.1 to 0.28 kg/cm²

| Model No. | Voltage (VAC) | Frequency (HZ) | Rated Pressure (kg/cm ²) | Airflow (LPM) | AMP (A) | WATT (W) |
|-----------|---------------|----------------|--------------------------------------|---------------|---------|----------|
| DBMX500 | 110 ~ 120 | 60 | 0.2 | 500 | 6.8 | 455 |
| DBMX500 | 220 ~ 240 | 50 | 0.2 | 500 | 3.7 | 460 |