

www.secohdily.cz



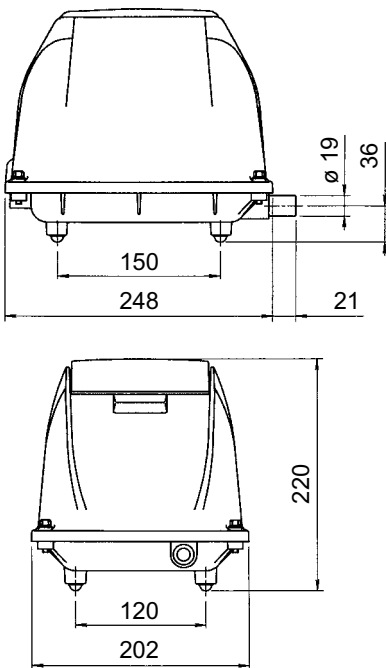
EL-S single system

EL-S-60 / EL-S-80-15 / EL-S-80-17
EL-S-100 / EL-S-120 / EL-S-150

Product characteristics

- Integrated overload protection
- Protective switch inclusive
- Optional with fault alarm lamp or integrated signal cable
- Connecting hose included in delivery

Dimensions



Technical data

Model			EL-S-60	EL-S-80-15	EL-S-80-17	EL-S-100	EL-S-120	EL-S-150
Air flow ¹⁾	l/min	0 mbar	105	127	142	152	190	224
		50 mbar	96	115	131	142	176	205
		100 mbar	83	102	113	130	156	182
		150 mbar	68	87	95	112	138	170
		200 mbar	54	73	77	94	123	148
		250 mbar	40	56	59	77	105	120
Voltage ²⁾	V		230	230	230	230	230	230
Power consumption	W	200 mbar	44	74	71	92	120	150
Noise level	dB(A)		36	40	40	42	55	58
Dimensions	mm	L x W x H	249 x 202 x 220					
Connection	mm	Ø outside	19	19	19	19	19	19
Net weight	kg		8.5	8.5	8.5	8.5	9	9

¹⁾ Product performance may vary +/- 10% from performance curves

²⁾ Values at 50 Hz

Performance data

